



# BATH/SINK WASTE AND PLUG CP 40mm 030701

## SPECIFICATION SHEET

### PRODUCT DETAILS

**BODY** BRASS

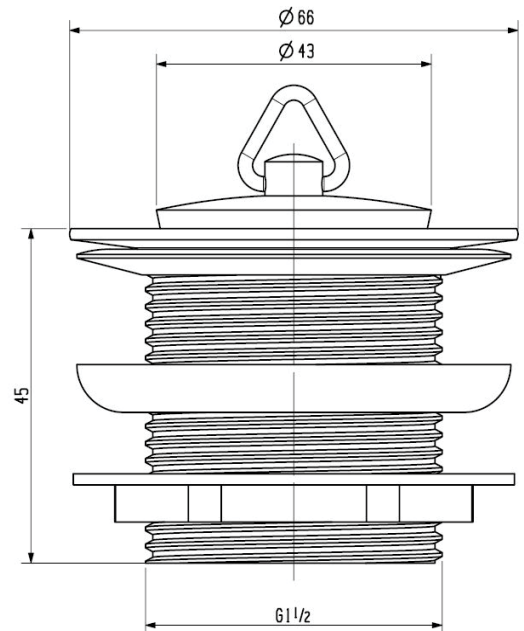
**BACK NUT** BRASS

**SEALS** SILICONE

**PLUG** BLACK SILICONE

**COLOUR** CHROME

**CHROME PLATING** 200 HOUR MEDICAL GRADE FINISH  
(Ni: 7 $\mu$  & Cr: 0.2 $\mu$ ) THICKNESS



### CLEANING INSTRUCTIONS

1. Avoid cleaning agents containing ingredients, such as chlorine bleach, formic acid, acetic or Hydrochloric acid.
2. Wipe all surfaces using a soft unabrasive cloth, with warm soapy water.



**2 YEAR WARRANTY**

[WWW.PLUMBLINK.CO.ZA](http://WWW.PLUMBLINK.CO.ZA)

Plumblink tries its best to ensure that the information given on our website is accurate. Although, we cannot guarantee this for certain, and accept no liability for any information.