



AMARO BOWL URINAL

031229

SPECIFICATION SHEET

PRODUCT DETAILS

Wall Hung Bowl Urinal

TECHNICAL SPECIFICATIONS

COLOUR WHITE

MATERIAL VITREOUS CHINA

BOWL CODE FS129617300000

BOWL WEIGHT 6,65KG

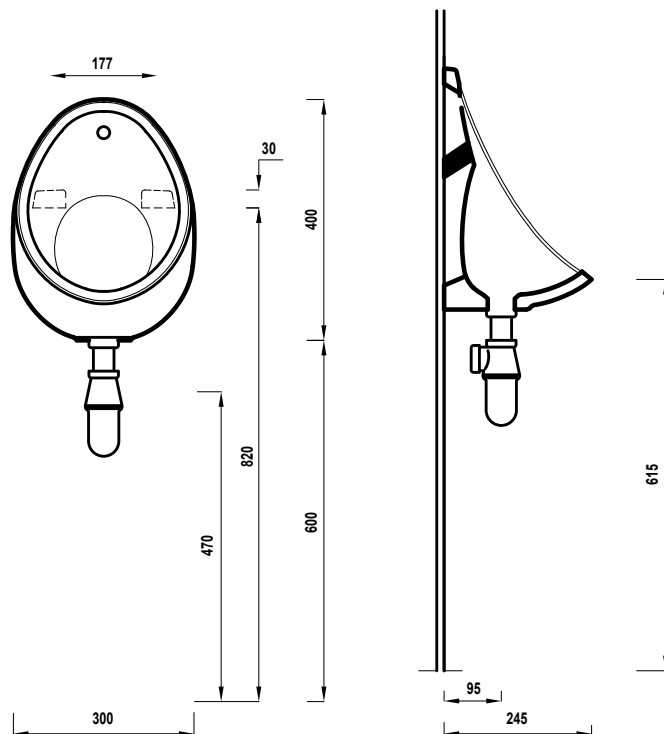
FEATURES URINAL SUPPLIED
WITH TOP ENTRY
SPREADER,
WALL BRACKETS
AND WASTE

WIDTH 300mm

HEIGHT 400mm

LENGTH 245mm

20 YEAR
GUARANTEE



WWW.PLUMBLINK.CO.ZA

Plumblink tries its best to ensure that the information given on our website is accurate. Although, we cannot guarantee this for certain, and accept no liability for any information.