



NIKKI BATH SPOUT SQUARE & OVERFLOW

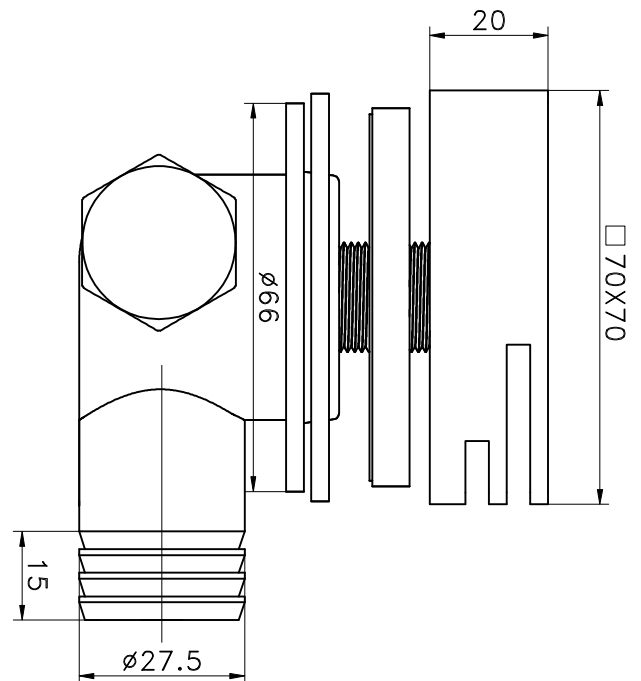
033805

SPECIFICATION SHEET

PRODUCT DETAILS

BODY BRASS

COLOUR CHROME



CLEANING INSTRUCTIONS

1. Avoid cleaning agents containing ingredients, such as chlorine bleach, formic acid, acetic or Hydrochloric acid.
2. Wipe all surfaces using a soft unabrasive cloth, with warm soapy water.



2 YEAR WARRANTY

WWW.PLUMBLINK.CO.ZA

Plumblink tries its best to ensure that the information given on our website is accurate. Although, we cannot guarantee this for certain, and accept no liability for any information.