



# LYRA BASIN MIXER

034146

SPECIFICATION SHEET

## PRODUCT DETAILS

**CARTRIDGE** HIGH QUALITY SUPERIOR SPEC CARTRIDGE

**NEOPERL AERATOR** EASY FLOW AERATOR

**FIXATION SET** STAINLESS STEEL FIXATION SET

**450mm BRAIDED CONNECTORS** EXTENDED MIXER BRAIDS

WITH OFFSET HEX'S FOR EASIER TIGHTENING & FOR AN  
EASIER INSTALLATION

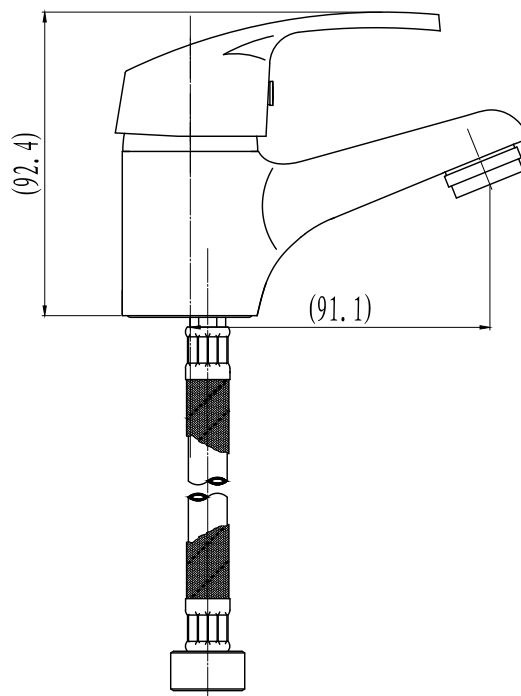
## TECHNICAL SPECIFICATIONS

**FLOW RATE** 7.4L/ MINUTE @ 300Kpa

**SABS APPROVED\***

**BRASS GRADE** DZR (dezincification resistant brass) Cz132

**CHROME PLATING** 200 HOUR SALT SPRAYED FINISH (Ni: 7 $\mu$   
& Cr: 0.2 $\mu$ ) THICKNESS



## CLEANING INSTRUCTIONS

1. Avoid cleaning agents containing ingredients, such as chlorine bleach, formic acid, acetic or Hydrochloric acid.
2. Wipe all surfaces using a soft unabrasive cloth, with warm soapy water.



**5 YEAR WARRANTY**

[WWW.PLUMBLINK.CO.ZA](http://WWW.PLUMBLINK.CO.ZA)

Plumblink tries its best to ensure that the information given on our website is accurate. Although, we cannot guarantee this for certain, and accept no liability for any information.