



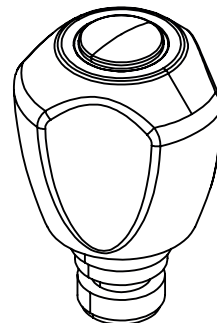
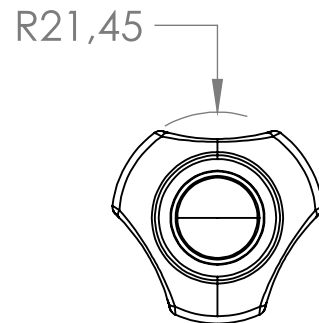
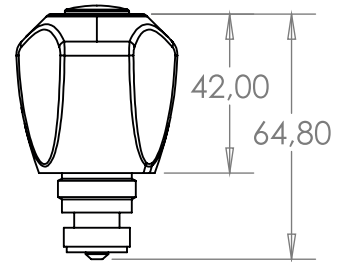
# CONVERTER HEADPART STANDARD

035794

SPECIFICATION SHEET

## PRODUCT DETAILS

15mm LIGHT EXPOSED (PR)



### CLEANING INSTRUCTIONS

1. Avoid cleaning agents containing ingredients, such as chlorine bleach, formic acid, acetic or Hydrochloric acid.
2. Wipe all surfaces using a soft unabrasive cloth, with warm soapy water.



**2 YEAR WARRANTY**

[WWW.PLUMBLINK.CO.ZA](http://WWW.PLUMBLINK.CO.ZA)

Plumblink tries its best to ensure that the information given on our website is accurate. Although, we cannot guarantee this for certain, and accept no liability for any information.