



NYATHI DOUBLE BOWL INSET SINK

038607

SPECIFICATION SHEET

PRODUCT DETAILS

Paraplegic Side Bent Grab Rail

TECHNICAL SPECIFICATIONS

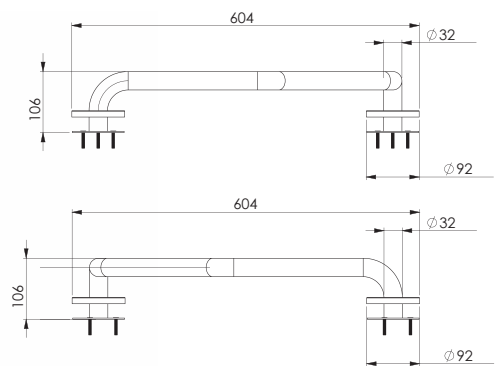
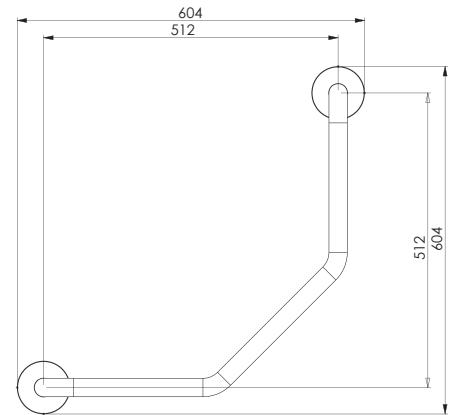
FINISH BRUSHED

MATERIAL STAINLESS STEEL

WIDTH 7604mm

LENGTH 604mm

DEPTH 106mm



CLEANING INSTRUCTIONS

1. Avoid cleaning agents containing ingredients, such as chlorine bleach, formic acid, acetic or Hydrochloric acid.
2. Wipe all surfaces using a soft unabrasive cloth, with warm soapy water.

WWW.PLUMBLINK.CO.ZA

Plumblink tries its best to ensure that the information given on our website is accurate. Although, we cannot guarantee this for certain, and accept no liability for any information.



Excludes Fixation Bolts