



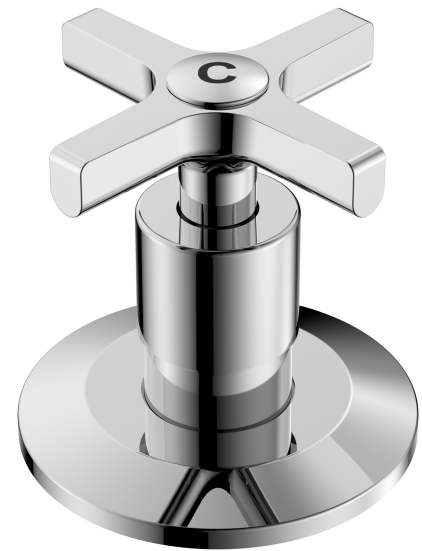
# MODERNA UNDER TILE STOP TAP 15mm FXF

038738

SPECIFICATION SHEET

## PRODUCT DETAILS

**BRASS VALVE / EPDM WASHER** BRASS VALVE WITH  
EPDM RUBBER WASHER



### TECHNICAL SPECIFICATIONS

**FLOW RATE** 34.5L/ MINUTE @ 3 Bar

**SABS APPROVED\***

**BRASS GRADE** DZR (dezincification resistant brass)  
Cz132

**CHROME PLATING** 200 HOUR SALT SPRAYED FINISH  
(Ni: 7 $\mu$  & Cr: 0.2 $\mu$ ) THICKNESS

**BSP THREADS** 1/2" FEMALE THREAD

### CLEANING INSTRUCTIONS

1. Avoid cleaning agents containing ingredients, such as chlorine bleach, formic acid, acetic or Hydrochloric acid.
2. Wipe all surfaces using a soft unabrasive cloth, with warm soapy water.



**10 YEAR GUARANTEE**

[WWW.PLUMBLINK.CO.ZA](http://WWW.PLUMBLINK.CO.ZA)

Plumblink tries its best to ensure that the information given on our website is accurate. Although, we cannot guarantee this for certain, and accept no liability for any information.

