



TUDORA SINK MIXER DECK-TYPE

038742

SPECIFICATION SHEET

PRODUCT DETAILS

BRASS VALVE / EPDM WASHER BRASS VALVE WITH EPDM RUBBER WASHER

AERATOR NEOPERL

TUBULAR FIXATION NYLON NUT WITH IMPREGNATED BRASS THREADS & COMPATIBLE STAINLESS STEEL TUBE FOR AN EASY INSTALLATION

450mm BRAIDED CONNECTORS EXTENDED MIXER BRAIDS WITH OFFSET HEX'S FOR EASIER TIGHTENING FOR EASIER INSTALLATION

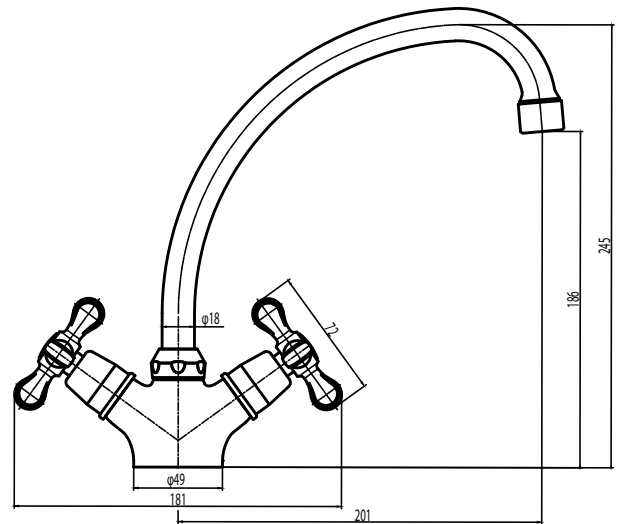
TECHNICAL SPECIFICATIONS

FLOW RATE 17.8L/MINUTE @ 3 BAR

SABS APPROVED*

BRASS GRADE DZR (dezincification resistant brass) Cz132

CHROME PLATING 200 HOUR SALT SPRAYED FINISH (Ni: 7 μ & Cr: 0.2 μ) THICKNESS



CLEANING INSTRUCTIONS

1. Avoid cleaning agents containing ingredients, such as chlorine bleach, formic acid, acetic or Hydrochloric acid.
2. Wipe all surfaces using a soft unabrasive cloth, with warm soapy water.



10 YEAR GUARANTEE

WWW.PLUMBLINK.CO.ZA

Plumblink tries its best to ensure that the information given on our website is accurate. Although, we cannot guarantee this for certain, and accept no liability for any information.