



AMARO WALL HUNG BACK ENTRY

032046

SPECIFICATION SHEET

PRODUCT DETAILS

Wall Hung Back Entry Pan WC

TECHNICAL SPECIFICATIONS

COLOUR WHITE

MATERIAL VITREOUS CHINA

PAN CODE FS1432510A0000

PAN WEIGHT 16,5KG

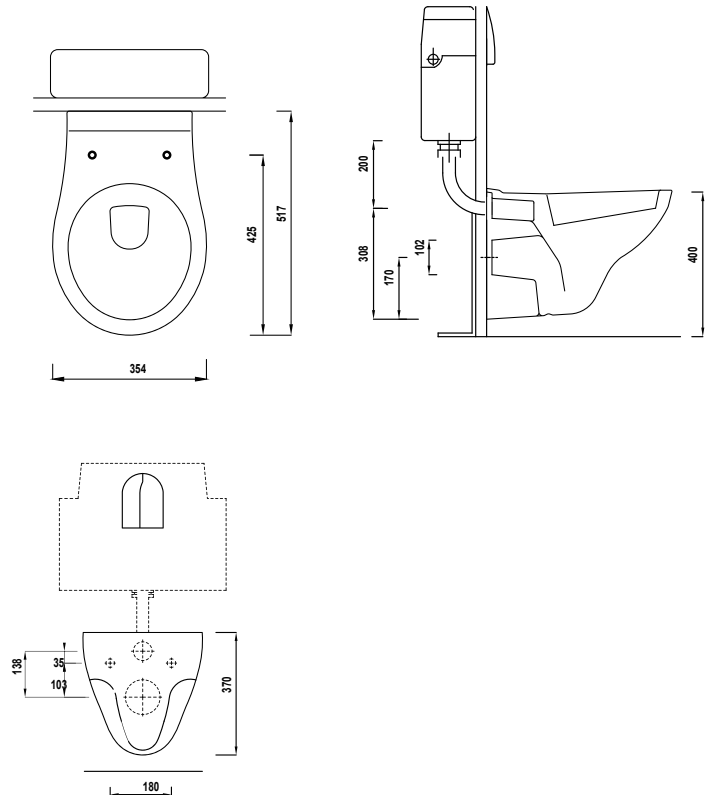
FEATURES CONCEALED CISTERN
BOLT WIDTH 180MM

WIDTH 354mm

HEIGHT 370mm

LENGTH 517mm

20 YEAR
GUARANTEE



WWW.PLUMBLINK.CO.ZA

Plumblink tries its best to ensure that the information given on our website is accurate. Although, we cannot guarantee this for certain, and accept no liability for any information.