



AMARO DUAL FLUSH CC WC

034861

SPECIFICATION SHEET

PRODUCT DETAILS

Close Couple Toilet Suite Excluding Seat

TECHNICAL SPECIFICATIONS

COLOUR WHITE

MATERIAL VITREOUS CHINA

PAN CODE FS14C211000006

PAN WEIGHT 14,33KG

CISTERN CODE FS1113A3100000

CISTERN WEIGHT 10KG

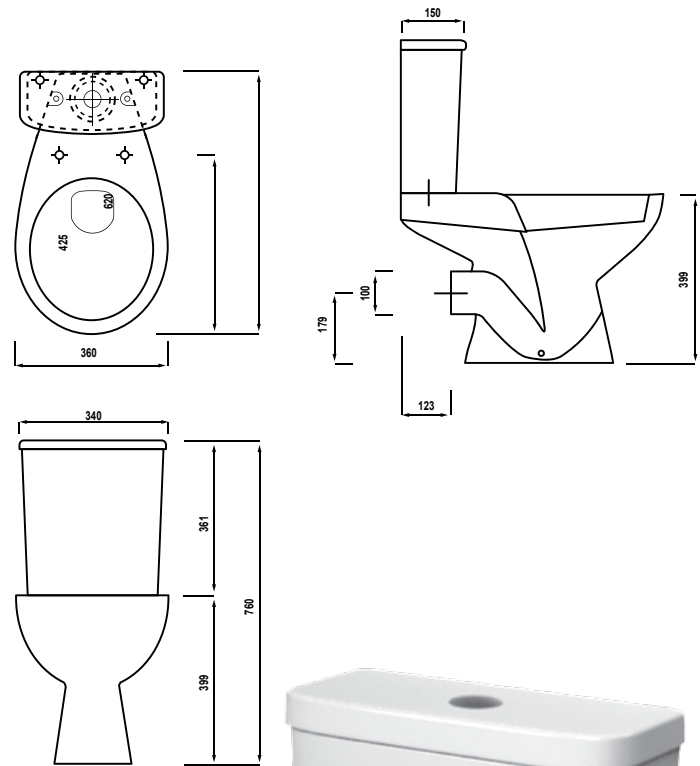
FEATURES WC SCREW TO FLOOR,
FIXING SCREWS
NOT SUPPLIED

WIDTH 360mm

HEIGHT 760mm

LENGTH 620mm

20 YEAR
GUARANTEE



WWW.PLUMBLINK.CO.ZA

Plumblink tries its best to ensure that the information given on our website is accurate. Although, we cannot guarantee this for certain, and accept no liability for any information.